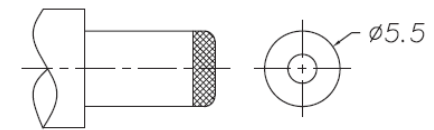
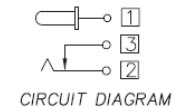
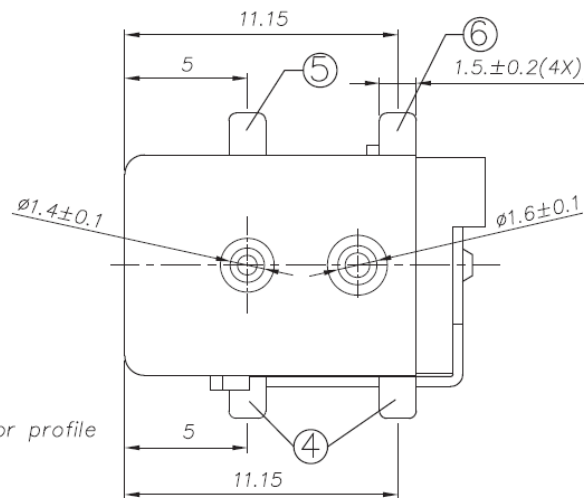
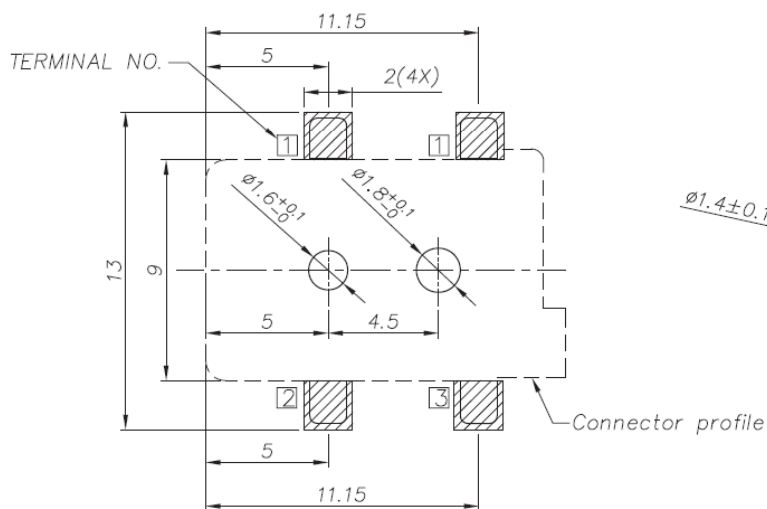


Specification:

1. Rating : DC 20V 5A.
2. Contact resistance: $\leq 30m\Omega$.
After test: $\leq 50m\Omega$
3. Insulation resistance: $\geq 100M\Omega$ (500VDC).
After test: $\geq 50M\Omega$
4. Withstanding voltage: 500VAC.
5. Insertion and extraction force: 3N~30N.
6. Life test: 5000 cycles min.
7. Operation temperature range: $-20^{\circ}C \sim 70^{\circ}C$.
8. Preservative temperature range: $-40^{\circ}C \sim 85^{\circ}C$.



DC MATE PLUG

RECOMMENDED P. C. B. LAYOUT
UNSPECIFIED TOLERANCE: ± 0.05
(TOP VIEW)

Model No.	A	B	C
PIN	$\phi 2.5$	$\phi 2.0$	$\phi 2.35$

⑥	Shunt terminal	③	1	Brass t0.4	Tin plating(3-6um)
⑤	Tip spring	②	1	Phosphor bronze t0.3	Tin plating(3-6um)
④	Center pin terminal	①	1	Brass t0.4	Tin plating(3-6um)
③	Center pin	①	1	Copper alloy	Copper tin/Nickel plating(2-4um)
②	Cover		1	PA9T	Black
①	Housing		1	PA9T	Black
NO.	DESCRIPTION	QTY	MATERIAL	REMARK	


 銓基電子股份有限公司
 ROKI ELECTRONICS CO., LTD.

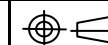
PART NAME : DC JACK

PART NO : JD62-□-PF

TOLERANCE : ± 0.3 mm

SCALE :

UNIT : mm



VER : R02